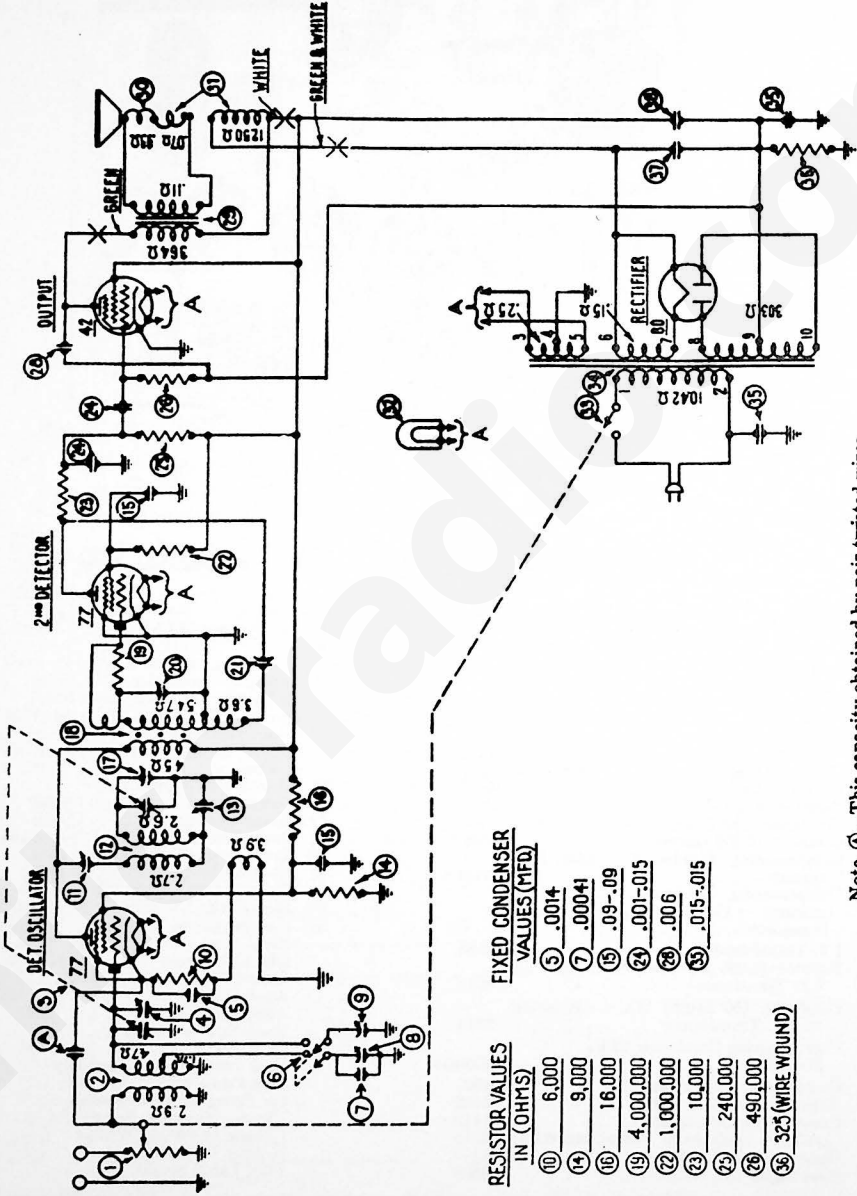


Model 81



RESISTOR VALUES
IN (OHMS)

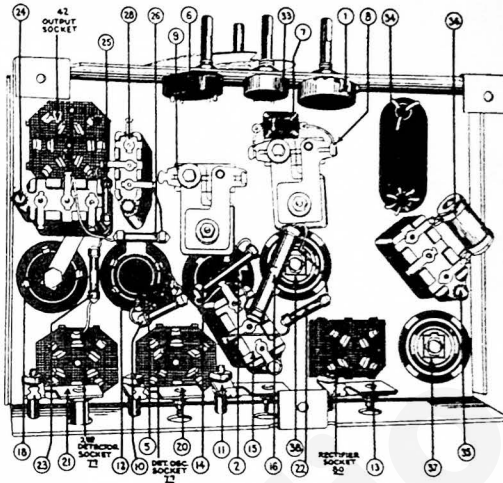
- ⑩ 6,000
- ⑭ 9,000
- ⑮ 16,000
- ⑰ 4,000,000
- ⑳ 1,000,000
- ㉑ 10,000
- ㉒ 240,000
- ㉔ 490,000
- ㉖ 325 (WIRE WOUND)

FIXED CONDENSER
VALUES (MFD)

- ⑤ .0014
- ⑦ .00041
- ⑰ .09-.09
- ㉒ .001-.015
- ㉔ .006
- ㉖ .015-.015

Note ⑥—This capacity obtained by pair twisted wires.

MODEL 81



REPLACEMENT PARTS MODEL 81

No. on Figs.	Description	Part No.	No. on Figs.	Description	Part No.
①	Volume Control*	33-5002	②	Resistor (Yellow-White-Yellow)	4517
②	Antenna Transformer	32-1030	③	Condenser	7625-B
③	Tuning Cond. Assembly	31-1006	④	Output Transformer	2660
④	Compensating Condenser (Part of ③)		⑤	Voice Coil and Cone Assembly	02861
⑤	Cond. (Red and Black)	7007	⑥	Speaker Field and Bucking Coil (with Pot)	02667
⑥	Frequency Switch	42-1000	⑦	Pilot Light	6608
⑦	Cond. (Orange and Yellow)	30-1000	⑧	"On-Off" Switch*	0416-W
⑧	Compensating Condenser	04000-S	⑨	Power Transformer—50-60 Cycles	7421
⑨	Compensating Condenser	04000-X	⑩	Power Transformer—25-40 Cycles	7422
⑩	Resistor (Blue-Black-Red)	7352	⑪	Power Transformer—50-60 Cycles, 250 Volts	7423
⑪	Compensating Condenser (I.F. Primary)	04000-A	⑫	Condenser (Double)	3793-R
⑫	Oscillator Coil	32-1031	⑬	Resistor (Wire Wound)	7465
⑬	Compensating Condenser (Low Frequency)	04000-S	⑭	Electrolytic Condenser (8 Mfd.)	7558
⑭	Resistor (White-Black-Red)	7501	⑮	Electrolytic Condenser (4 Mfd.)	7467
⑮	Condenser	4989-B	⑯	Bezel	7417
⑯	Resistor (Brown-Blue-Orange)	7500	⑰	Tube Shield	7172
⑰	Compensating Condenser (Part of ⑯)		⑱	Knob (Large)	03063
⑱	I.F. Transformer	06100	⑲	Knob (Small)	03064
⑲	Resistor (Mounted on I.F. Transformer)	6010	⑳	Knob Spring	5262
⑳	Compensating Condenser (I.F. Secondary)	04000-D	㉑	Grid Clip	4897
㉑	Compensating Condenser	04000	㉒	Four Prong Socket Assembly	5026
㉒	Resistor (Brown-Black-Green)	4409	㉓	Six Prong Socket Assembly	6417
㉓	Resistor (Brown-Black-Orange)	4412	㉔	Chassis Mounting Screw	W-567
㉔	Condenser (Double)	7762-B	㉕	Chassis Mounting Washer	W-315
㉕	Resistor (Red-Yellow-Yellow)	4410	㉖	Pilot Lamp Shield	5760

*On later production (run No. 3 and above, rubber stamped in a star on back of chassis) volume control ① and on-off switch ⑧ was combined. This new volume control and on-off switch is Part Number 7439.